

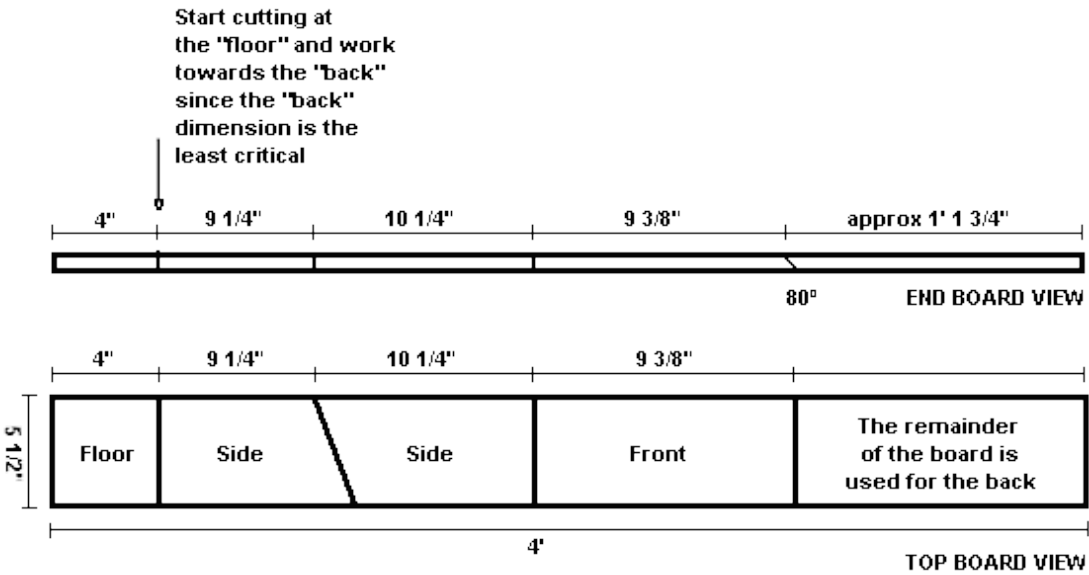
Western Bluebird Nestbox

MATERIALS LIST

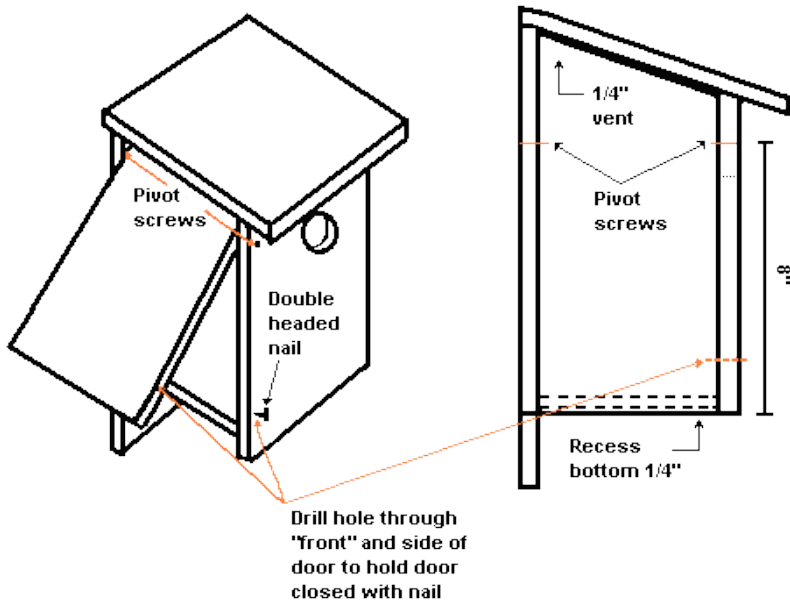
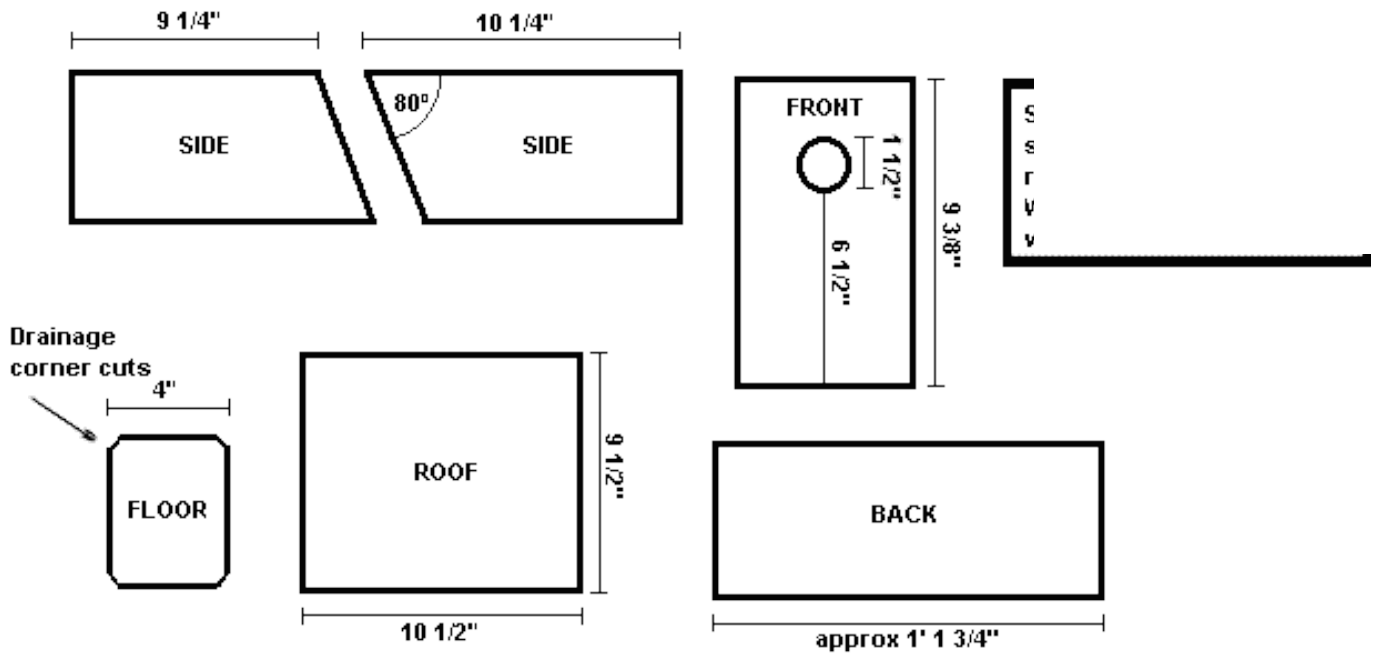
Standard board 1" x 6" x 4' long

- Standard Board 1" x 10" x 10 1/2" long (for roof)
- 1-3/4" galvanized nails or screws -- approx. 20
- 1-3/4" galvanized screw or nail for pivot point -- 2
- Double-headed nail for holding door closed -- 1

BOARD DIAGRAM



CONSTRUCTION PLAN



- This [side view](#) shows how the box opens on the side for cleaning and access to band chicks. The access hole for the birds is on the front.

The box is nailed to a post or tree on the extension at the back bottom of the box and above in the middle of the back. Access to the middle is through the front hole using a long-handled screwdriver.

Where should I put my nest box?

Ideal bluebird habitats: open and barren or short-cut/sparsely grassed areas (so they can see their food, ground-dwelling insects) with a few perches nearby such as fence lines or trees. Garry Oak meadows, pesticide and herbicide-free cattle or horse pastures, cemeteries, acreages, abandoned orchards, lightly traveled roadsides, golf courses, open areas in parks, the edges of meadows, and clear cuts adjacent to or within forested areas that have been recently burned provide excellent bluebird habitat.

Poor bluebird habitats: town or city centers where they might be in competition with House Sparrows (e.g. Ganges, Fulford Harbour, Vesuvius), densely wooded areas, or locations where the boxes are at risk of being depredated or vandalized. Avoid areas with free-roaming cats, that could kill the young birds.

Box Spacing & Mounting: space arrays of boxes at intervals of about 100m (300 ft). If House Wrens are likely to be a problem, be sure the box is mounted at least 60m (200 ft) away from a wooded or brushy area. To reduce the chance of House Sparrows taking over the box, do not mount on barns, homes or outbuildings. If Tree Swallows or Violet-green Swallows are likely to use the box, try setting out an array of two boxes about 3-4m (10 ft) apart so that the bluebirds can use one and the swallows the other.

Entrance holes: should be approximately 5-6' above the ground, facing away from prevailing winds and summer storms to reduce the amount of rain that might be blown into the box, faced away from direct sun exposure and facing towards a tree or shrub which is within 100 feet of the box (but not too close to the box). Scattered trees and shrubs provide a landing spot for the young bluebirds when they first leave the box. This will keep them off the ground, away from predators.

If boxes are placed along roads the hole should face parallel with the road so that birds are more likely to fly along the road ditch than across the road and into the path of traffic. Boxes can be mounted on free-standing poles, trees, or fence lines (provided the fence post is high enough; if not, an extension pole nailed to fence post will work). Use either nails or screws to mount the box, or if you are concerned about damaging a tree, use a rope that supports the box. Pre-drilling all screw holes prevents the wood from splitting.



Nest Box Plans & Information on Bluebirds can be found at: www.nabluebirdsociety.com